

VREF49 Upright

laboratory refrigerators



Solid door

Glass door



Model configurations			
Hinging	Heated door	Door style	Item number
outer	yes	glass	VREF49-LB-OGD
outer	no	solid	VREF49-LB-OSD

Features

Powerful refrigeration system with low GWP refrigerant for high performance and reduced total cost of ownership

- exclusive top-mounted modular Complete Refrigeration System (CRS)
- all refrigeration components external to storage compartment for greater usable capacity
- high volume airflow design for faster temperature recovery and uniform temperature

Protection for your valuable products

- audible and visual high/low temperature and door open alarms
- dry contacts for remote alarming
- access port for third party monitoring
- key door lock
- rear mounted on/off power switch

Precise temperature control

- microprocessor control with digital temperature display
- factory preset at +4 C (adjustable from +1 C to +12 C)

Laboratory-grade cabinet construction

- full steel interior and exterior provide resistance to rust and corrosion
- internal rounded corners
- heavy-duty dual casters roll easily and lock securely
- 2.36" (5.99 cm) of CARB compliant non-HFC foam throughout
- eight (8) epoxy-coated shelves standard

Heavy-duty door for ease of use and energy savings

- self-closing hinges lock open at 105 degrees for easy product loading
- energy efficient low-E glass coating to reduce energy loss
- glass remains condensation-free to 27 C (80 F) at 60% RH

Engineered for sustainability

- R290 low GWP refrigerant
- high density foamed in place insulation (Kyoto Protocol compliant)
- energy-efficient LED lights
- ENERGY STAR Certified
- SNAP compliant
- cULus Listed and UL Energy Verified

Warranty

- 2 years parts and labor, 3 years compressor

Factory-installed options

Solid stainless steel door with 2.60" (6.60 cm) thick insulation and ADA-compliant full-length locking handle (full-length glass door standard)

NOTE: Factory-installed options must be specified at time of order – for details contact factory or your local sales representative.

Accessories

Replacement CRS (Complete Refrigeration System) module (item# 01394451)

Additional shelf, (item# 01394030)

Additional key, includes lock (item# 01394329)

NOTE: Accessories ship separately.

Specification

Nominal capacity	49.5 cu ft
Ventilation clearance	15.00" (38.1 cm) top, 2.00" (5.08 cm) back

Exterior

W1 Width	56.69" (145 cm)
D1 Depth with handle	glass door – 33.23" (84.4 cm) solid door – 31.50" (80.0 cm)
H1 Height with casters	79.31" (201.4 cm)
Casters	(6) swiveling dual wheel casters (2) with toe locks
D2 Door swing	55.91" (142.0 cm)
Wall bracket, seismic anchoring	standard, factory installed

Interior

Height	59.84" (152.0 cm)
Lighting	glass door – full length LED light on handle side of door. Solid door – (1) LED light from top of cabinet.
Storage system	(8) full, epoxy-coated shelves
Shelf dimensions	20.87" W x 25.59" D (53.0 x 65.0 cm)
Max. load rating per shelf	100 lb (45 kg)

Door configurations

Door	dual-pane glass door or solid powder coated steel (non-field reversible)
Door lock	cylinder type with key
Door handle	glass door – bar type. Solid door – ADA-compliant, full length handle.
Door hinges	torsion rod self-closing with 105° hold open feature
Gasket	magnetic dart style (replaceable)

Electrical

C1 Electrical 115 V/60/1 (103 - 132 V)	5.4 run load amps, hospital-grade NEMA 5-15P plug, 118" (3.0 m) cord
Maximum size of branch circuit overcurrent device	15 amps dedicated circuit

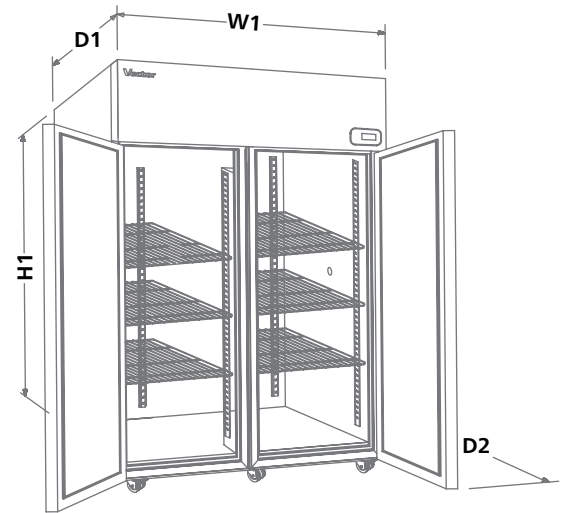
Controls

Temperature display	standard 7 segment LED
C2 3rd party probe access	soft access port on left side of cabinet
Temperature probe calibration	top probe calibration in 0.1° increments
Refrigeration and defrost probes	NTC thermistor type (± 1.0 C, ± 1.8 F)
Programmable operating range	1 to 12 C (34 to 54 F)
Factory preset	4 C

Alarming

High and low product temperature alarm	audible and visual (preprogrammed)
Door ajar alarm	audible and visual
Probe error alarm	audible and visual
Alarm mute	with press of key
Remote contacts	NO/NC standard, located on back of unit

Dimensional drawing



VECTOR is a trademark of Follett Products, LLC.
Follett reserves the right to change specifications at any time without obligation.

System performance

Refrigeration system	integral top-mounted module with 1/3 hp compressor and air-cooled condenser
Refrigerant and charge	Low GWP R290 refrigerant, 3.5 oz
Air circulation system	evaporator with air-forced ventilation
Energy consumption	3.49 kWh/day (auto-off defrost)

Shipping

Shipping size	58.6" W x 34.6" D x 125.7" H (149 x 88 x 219 cm)
Approximate refrigeration module net weight	77 lb (35 kg)
Approximate net weight	Solid door model – 485 lb (220 kg) Glass door model – 573 lb (260 kg)
Approximate ship weight	Solid door model – 531 lb (241 kg) Glass door model – 622 lb (282 kg)

NOTE: For indoor use only

SHORT FORM SPECIFICATION: Energy Star listed 49 cubic foot upright 4 C refrigerator with (6) adjustable epoxy coated wire shelves. Low GWP R290 refrigeration system includes an integral top-mounted module with 1/3 hp compressor and air-cooled condenser. Microprocessor control with digital display in degrees C. High density foamed in place insulation (Kyoto Protocol compliant). Full suite of audible and visual alarms. 118" (3.0 m) power cord with NEMA 5-15P hospital-grade plug.

VREF49 upright laboratory refrigerators

