

# VFZR25 Upright

laboratory freezers



| Model configurations |             |            |               |
|----------------------|-------------|------------|---------------|
| Hinging              | Heated door | Door style | Item number   |
| left                 | yes         | solid      | VFZR25-LB-LSD |
| right                | yes         | solid      | VFZR25-LB-RSD |

## Features

Powerful refrigeration system with low GWP refrigerant for high performance and reduced total cost of ownership

- exclusive top-mounted modular Complete Refrigeration System (CRS)
- all refrigeration components external to storage compartment for greater usable capacity
- high volume airflow design for faster temperature recovery and uniform temperature
- frost-free and auto-evaporating condensate

## Protection for your valuable products

- audible and visual high/low temperature and door open alarms
- dry contacts for remote alarming
- access port for third party monitoring
- key door lock
- rear mounted on/off power switch

## Precise temperature control

- microprocessor control with digital temperature display
- factory preset at -25 C (adjustable from -10 C to -25 C)

## Laboratory-grade cabinet construction

- full steel interior and exterior provide resistance to rust and corrosion
- internal rounded corners
- heavy-duty dual casters roll easily and lock securely
- 2.36" (5.99 cm) of CARB compliant non-HFC foam throughout
- four (4) epoxy-coated shelves standard

## Heavy-duty door for ease of use and energy savings

- 2.60" (6.60 cm) thick insulated stainless steel door with ADA-compliant full length locking handle
- self-closing hinges lock open at 105 degrees for easy product loading

## Engineered for sustainability

- R290 low GWP refrigerant
- high density foamed in place insulation (Kyoto Protocol compliant)
- energy-efficient LED lights
- ENERGY STAR Certified
- SNAP compliant
- cULus Listed and UL Energy Verified

## Warranty

- 2 years parts and labor, 3 years compressor

---

## Factory-installed options

Left-hinged door, facing unit (right-hinged door standard)

NOTE: Factory-installed options must be specified at time of order – for details contact factory or your local sales representative.

---

## Accessories

Replacement CRS (Complete Refrigeration System) module  
(item# 01394444)

Additional shelf (item# 01394030)

Additional key, includes lock (item# 01394329)

NOTE: Accessories ship separately.

## Specification

|                       |   |
|-----------------------|---|
| Nominal capacity      | 24.7 cu ft                                    |
| Ventilation clearance | 15.00" (38.1 cm) top,<br>2.00" (5.08 cm) back |

## Exterior

|                                 |  |
|---------------------------------|--|
| <b>W1</b> Width                 | 28.35" (72.0 cm)                                       |
| <b>D1</b> Depth with handle     | 31.50" (80.0 cm)                                       |
| <b>H1</b> Height with casters   | 79.31" (201.4 cm)                                      |
| Casters                         | (4) swiveling dual wheel casters<br>(2) with toe locks |
| <b>D2</b> Door swing            | 55.91" (142.0 cm)                                      |
| Wall bracket, seismic anchoring | standard, factory installed                            |

## Interior

|                            |                                      |
|----------------------------|--------------------------------------|
| Height                     | 59.84" (152.0 cm)                    |
| Lighting                   | (1) LED light from top of cabinet    |
| Storage system             | (4) full, epoxy-coated shelves       |
| Shelf dimensions           | 20.87" W x 25.59" D (53.0 x 65.0 cm) |
| Max. load rating per shelf | 100 lb (45 kg)                       |

## Door configurations

|             |   |
|-------------|---|
| Door        | powder coated steel<br>(non-field reversible)           |
| Door lock   | cylinder type with key                                  |
| Door handle | ADA-compliant, full length handle                       |
| Door hinges | torsion rod self-closing with 105°<br>hold open feature |
| Gasket      | magnetic dart style (replaceable)                       |

## Electrical

|  |  |
|--|--|
| <b>C1</b> Electrical                                 | 5.2 run load amps, hospital-grade<br>NEMA 5-15P plug, 118" (3.0 m) cord<br>(103 - 132 V) |
| Maximum size of branch circuit<br>overcurrent device | 15 amps dedicated circuit  |

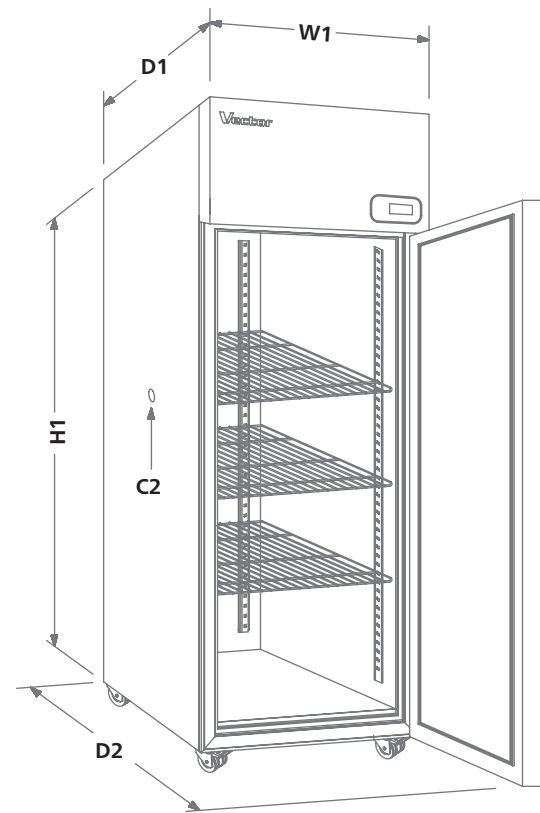
## Controls

|                                  |   |
|----------------------------------|---|
| Temperature display              | standard 3 digit, 7 segment LED                 |
| <b>C2</b> 3rd party probe access | soft access port on left side of cabinet        |
| Temperature probe calibration    | top probe calibration in<br>0.1° increments     |
| Refrigeration and defrost probes | NTC thermistor type ( $\pm 1.0$ C, $\pm 1.8$ F) |
| Programmable operating range     | -10 to -25 C (14 to -13 F)                      |
| Factory preset                   | -25 C   |

## Alarming

|   |  |
|---|--|
| High and low product<br>temperature alarm | audible and visual (preprogrammed)         |
| Door ajar alarm                           | audible and visual                         |
| Probe error alarm                         | audible and visual                         |
| Alarm mute                                | with press of key                          |
| Remote contacts                           | NO/NC standard, located on back of<br>unit |

## Dimensional drawing



VECTOR is a trademark of Follett Products, LLC.  
Follett reserves the right to change specifications at any time without obligation.

## System performance

|                        |   |
|------------------------|---|
| Refrigeration system   | integral top-mounted module with 1/2 hp compressor and air-cooled condenser |
| Refrigerant and charge | Low GWP R290 refrigerant, 3.9 oz  |
| Air circulation system | evaporator with air-forced ventilation                                      |
| Energy consumption     | 5.22 kWh/day (auto-off defrost)   |

## Shipping

|   |  |
|---|--|
| Shipping size                               | 30.25" W x 34.50" D x 86.38" H<br>(76.8 x 87.6 x 219.4 cm) |
| Approximate refrigeration module net weight | 71 lb (32 kg)  |
| Approximate net weight                      | 287 lb (130 kg)  |
| Approximate ship weight                     | 353 lb (160 kg)  |

NOTE: For indoor use only

SHORT FORM SPECIFICATION: Energy Star listed 25 cubic foot upright -25 C freezer with (4) adjustable epoxy coated wire shelves. Low GWP R290 refrigeration system includes an integral top-mounted module with 1/2 hp compressor and air-cooled condenser. Microprocessor control with digital display in degrees C. High density foamed in place insulation (Kyoto Protocol compliant). Full suite of audible and visual alarms. 118" (3.0 m) power cord with NEMA 5-15P hospital-grade plug.

VFZR25 upright laboratory freezers

