

Follett® bacterial-retentive filter system



Description	Item number
Follett bacterial-retentive filter system includes 0.2 micron double layer sterilizing-grade filter capsule, a 1 micron absolute rated pre-filter cartridge and a pressure regulator	01233659
Follett bacterial-retentive replacement filters include 0.2 micron double layer sterilizing-grade filter capsule and a 1 micron absolute rated pre-filter cartridge	01244615

Features

Kleenpak® 0.2 micron double layer sterilizing-grade disposable filter capsule with robust Supor® membranes and broad chemical compatibility¹

Validated by an independent laboratory according to industry standard test methods with complete retention of the challenge organisms²

In-use evaluation performance supporting up to 6 months filter life

Profile II® 1 micron absolute rated pre-filter cartridge, with depth style polypropylene membrane for high performance particle removal

High efficiency pre-filtration ensuring removal of nutrient rich particulates

Barrier to protect the downstream sterilizing-grade filter capsule

Shurflo® pressure regulator controls water pressure to a maximum of 50 psi

Can be used in-line with scale inhibiting filtration systems

Non-carbon filtration, no use of glues or resins

Supports ASHRAE 188 water management plans to provide barrier to waterborne bacteria from the incoming water

Retains microorganisms without volume restriction

The only bacterial-retentive filter system recommended for use with Follett ice and water dispenser

¹ Systemic Compatibility

Continuous chlorine dioxide disinfection (up to 1 ppm ClO₂)

Chlorine shock treatment (up to 100 ppm free chlorine for up to 1 hour at ambient temperature)

Continuous free chlorine disinfection (up to 3 ppm at ambient temperature)

pH 12.8 (up to 1 hour at ambient temperature) ammonium chlorides, iodides and non-ionic surfactants)

Peracetic acid (up to 1000 ppm at 60 C for up to 2 hours)

² F838-15a "American Standard Testing Methodology (ASTM) F838-15a determining bacterial infection of membrane filters utilized for liquid filtration, 2015"

Specification

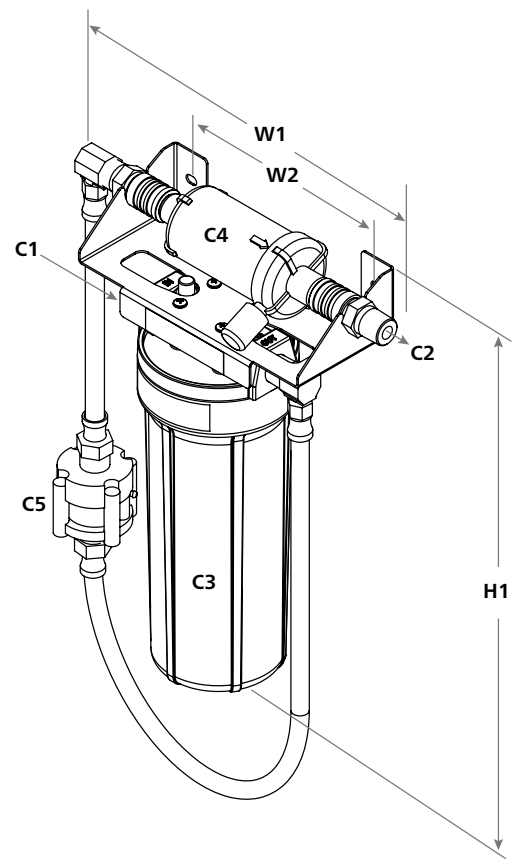
W1 Width	11.57" (29.39 cm)
W2 Mounting holes	7.12" (18.08 cm)
Depth	4.78" (12.14 cm)
H1 Height	13.85" (35.18 cm)
Service clearance	1.00" (2.54 cm) front service clearance, 2.50" (6.35 cm) at top and bottom for cartridge removal, 2.00" (5.08 cm) on each side
C1 Water inlet	1/2" FNPT
C2 Water outlet (to dispenser)	1/2" MNPT
C3 Pre-filter	1 micron absolute rated pre-filter cartridge
C4 Primary filter	0.2 micron sterilizing-grade disposable filter capsule
C5 Pressure regulator	
Filter life	Validated for up to 6 months filter life
Water temperature	45 - 90 F (7 - 32 C)
Water pressure	30 - 70 psi (207 - 482 kpa)
Approximate ship weight	6 lb (2.7 kg)

NOTE: Follett bacterial-retentive filter system includes Kleenpak 0.2 micron double layer sterilizing-grade disposable filter capsule, Profile II 1 micron absolute rated pre-filter cartridge and Shurflo pressure regulator. It has been validated as a complete assembly and operating outside those parameters voids the warranty.



System Certified and Tested by NSF International against NSF/ANSI Standard 42 for the reduction of Class 1 Particulates

Dimensional drawing



Filters provided by

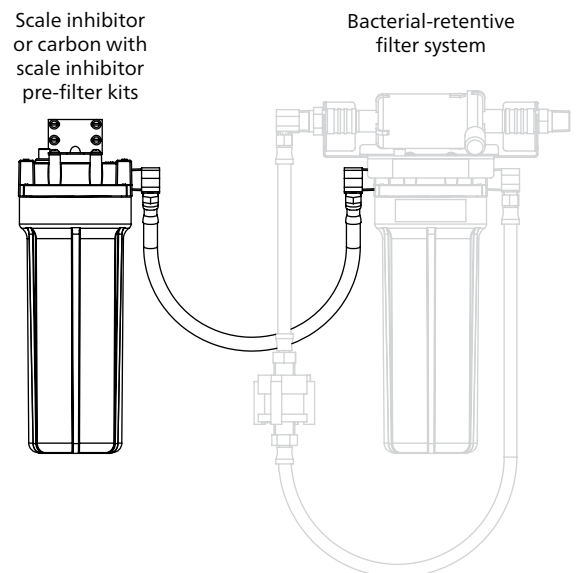


Accessory kits for bacterial-retentive filter system

The following accessory kits can be installed upstream of the bacterial-retentive filter system to provide scale inhibitor or carbon filtration with scale inhibitor.

Description	Item number
Scale inhibitor pre-filter kit for bacterial-retentive filter system	01288034
Carbon with scale inhibitor pre-filter kit for bacterial-retentive filter system	01288042
Replacement filter for scale inhibitor pre-filter kit	01288067
Replacement filter for carbon and scale inhibitor pre-filter kit	01288059

Dimensional drawing



Kleenpak, Pall, Profile II and Supor are registered trademarks of Pall Corporation.
Shurflo is a registered trademark of Pentair.
FOLLETT HEALTHCARE is a trademark of Follett LLC.
FOLLETT is a registered trademark of Follett LLC, registered in the US.
Follett reserves the right to change specifications at any time without obligation. Certifications may vary depending on country of origin.

Follett bacterial-retentive filter system